



Huskie
TOOLS



OPERATING INSTRUCTION MANUAL
S-32CC
HANDHELD HYDRAULIC CUTTING TOOL
1.25" JAW OPENING

Connect with us!



[@huskietoolsinc](https://twitter.com/huskietoolsinc)



facebook.com/huskietools



linkedin.com/company/huskie-tools



youtube.com/user/huskietools

SPECIFICATIONS

S-32CC

Output:	19.8 Ton
Weight:	23 lbs.
Size:	27" L
Jaw Opening:	1.25"

CUTTING CAPACITIES

Wire Ropes	DO NOT CUT
Soft Steel Bolts	26mm 1"
Rebar, Ground, & Anchor Rod	26mm 1"
Cu & Al Wire	DO NOT CUT
ACSR	DO NOT CUT
Standard Guy Wire	22mm 7/8" EHS
Telephone & Lead Seathed Cable	DO NOT CUT
Chain	1/2"

IMPORTANT OPERATING PRECAUTIONS

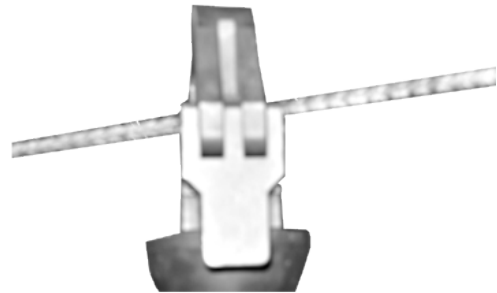
1. Stay within the maximum limits of each tool as listed on page 3.
2. Try to keep the cutter head clean. When cleaning, use a spray lubricant to avoid a build up of dirt and sand which will damage the cutter head.
3. Stop pumping when the blade reaches the extreme end of its advance. If the material being cut seems to be cut but does not break free of the tool, this indicates that the blade is jammed on a small piece of cable. Refer to the “Troubleshooting Guide” on page 10.
4. All Huskie tools require proper care. Occasional cleaning and degreasing in solvent, and sharpening blade and cutter head, will keep these tools operating without problems.
5. The most common problem encountered is blade breakage. Ninety-nine percent of all breakage occurs because the cutter head is not securely latched before cutting. If the latch is not secured, the blade will push open the cutter head and damage both the body head and blade. This causes the outside ear of the blade to break on an angle. In some cases the whole cutter head may crack in half. Cutting material that is not specified may also cause blade damage. In time these blades will fatigue and crack and must then be replaced.
6. There may be a residue of oil present on new tools when they are removed from the original shipping container. This is to protect the tool from corrosion during shipment and storage, and should not be considered defective. The tool can be cleaned with a spray degreaser or soapy water.
7. If tool is jammed, avoid beating directly on the tool with a hammer, especially avoid flattening the piston cylinder. Use a hammer in conjunction with a block of wood or soft material to free the blade.

IMPORTANT OPERATING PRECAUTIONS

8. All tools can be reconditioned and overhauled. Call factory and obtain an RGA # for returning tools.
9. If the cutters are used under water, wash them down and lubricate after each use. This whole operation takes less than five minutes. It may be helpful to paint new tools with a light color, corrosion resistant paint.
10. Always return tools to their carrying bag to protect them from sand and dirt. Extra bags can be purchased.
11. Always carry a spare blade, preferably attached to the carrying bag.
12. Use clear hydraulic fluid MV-32 available from your dealer or HTI.
13. When cutting, keep area clear of spectators as hardened metals may fly apart when severed.
14. Always cut the material at a 90 degree angle to the blade. Any other angle may cause the blade and head shear to fracture. See illustration below.



CORRECT



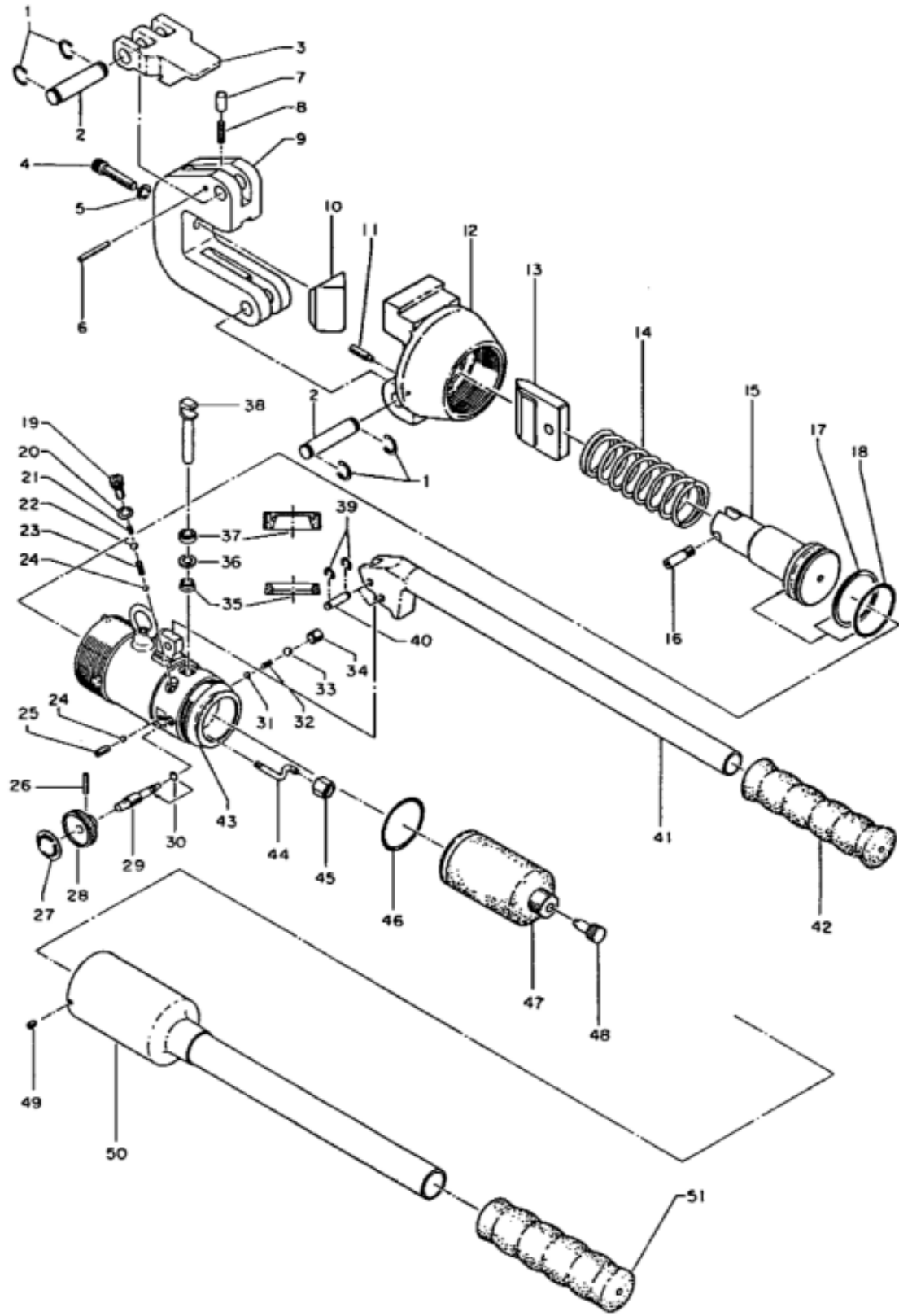
WRONG

OPERATING INSTRUCTIONS

1. Before cutting, make sure the material being cut is within the proper cutting capacity of the tool being used.
2. Open cutter head by lifting latch or removing lock pin, depending on the model being used.
3. Insert material between cutter head and blade and secure latch. It is important that you check the latch for proper engagement before continuing with the cut. Failure to secure the latch can result in severe tool damage and personal injury.
4. Align the material at a 90 degree angle to the blade. This will ensure a proper cut with minimal distortion. If the material is cut at any other angle, severe blade damage may occur. Refer to diagram on page two for proper alignment.
5. Proceed by pumping handle to advance blade. Once blade has made contact with the material, check alignment once again for proper angle. Continue to pump handle and cut material.
6. Once the cut is made, the release lever on the side of the tool body can be depressed to retract the blade. On the model S-85 cutter, the pump handle must be rotated 90 degrees clockwise and then closed to depress release pin located under the handle.
7. These cutters do not have a by-pass cartridge like our compression tools, so they should be released once the cut is made and not continued to be advanced. If the tool is advanced under pressure with no load, it is difficult to release the blade. Refer to the troubleshooting on page three if this condition occurs.
8. Always wear eye protection and any other specified safety equipment when cutting. Be sure surrounding area is clear, as hardened metals may fly apart when severed.
9. For EHS guy wire or bridge strand, use models S-24CC or S-32CC only! The use of any other S series cutter will result in severe blade damage and may cause personal injury.
10. Model S-85 cutter is designed for use on non-ferrous metals only! Do not cut steel or severe tool damage and personal injury may occur.

S SERIES SPECIFICATIONS

MODEL:	S-16	S-20	S-24	S-32	S-40B	S-55	S-85	S-24CC	S-32CC
OUTPUT:	4.4 ton	4.4 ton	7.8 ton	19.8 ton	6.3 ton	13.0 ton	2.7 ton	7.8 tpm	19.8 ton
WEIGHT:	6 lbs.	6 lbs.	9 lbs.	21 lbs.	12 lbs.	17 lbs.	15 lbs.	9 lbs.	23 lbs.
LENGTH:	15"L	15"L	17"L	27"L	23"L	24"L	26"L	17"L	27"L
Wire Ropes	16mm 5/8"	20mm 3/4"	22mm 7/8"	32mm 1-1/4"	20mm 3/4"	26mm 1"	Do not cut	Do not cut	Do not cut
Soft Steel Bolts	16mm 5/8"	17mm 11/16"	22mm 7/8"	32mm 1-1/4"	20mm 3/4"	32mm 1-1/4"	Do not cut	16mm 5/8"	16mm 5/8"
Rebar, ground, & anchor rod	13mm 1/2"	16mm 5/8"	16mm 5/8"	22mm 7/8"	16mm 5/8"	20mm 3/4"	Do not cut	16mm 5/8"	16mm 5/8"
CU & AL wire	16mm 5/8"	20mm 3/4"	22mm 7/8"	32mm 1-1/4"	40mm 1-1/2"	50mm 2"	45mm 3"		
ACSR (see page 65)	16mm 5/8"	20mm 3/4"	22mm 7/8"	32mm 1-1/4"	40mm 1-1/2"	50mm 2" (1590)	Do not cut		
Standard Guy Wire	13mm 1/2"	14mm 1/2"	16mm 5/8"	22mm 7/8"	16mm 7/8"	20mm 3/4"	Do not cut	14mm 9/16"	22mm 7/8"
Telephone & lead sheathed cable	Do not cut	Do not cut	Do not cut	Do not cut	Do not cut	Do not cut	85mm 3.35"	Do not cut	Do not cut



NO.	DESCRIPTION	CODE	QTY.	NO.	DESCRIPTION	CODE	QTY.
1	CE-12.7 Snap Ring	26-04	4	49	M4 X 5 Screw (C.P.)	55A-24	1
2	Pin (31)	26-03	2	50	Body Handle	26-39	1
3	Latch	32C-01	1	51	Body Handle Grip	26-40	1
4	M8 X 35 Screw	32C-02	1				
5	M8 Lock Washer	40-25	1				
6	4 X 36 Drive Pin	26-02	1				
7	Spring Holder	26-06	1				
8	Spring (81)	26-07	1				
9	Head	32CE-02	1				
10	Anvil Blade	32C-04	1				
11	M5 X 10 Screw (D.P.)	55A-11	1				
12	Cylinder Head	32CE-01	1				
13	Cutter Blade	32C-06	1				
14	Spring (192)	32C-07	1				
15	Ram	32C-08	1				
16	Blade Screw	32-09	1				
17	P-45 Back-Up Ring (B.C.)	32-10	1				
18	P-45 O-Ring	32-11	1				
19	Exhaust Valve Screw	26-19	1				
20	Copper Gasket (4)	26-20	1				
21	Spring (68)	26-21	1				
22	1/4" Ball	26-22	1				
23	Spring (4)	16-48	1				
24	3/16" Ball	16-49	2				
25	M6 X 15 Screw (F.P.)	32-23	1				
26	2.5 X 20 Drive Pin	32-13	1				
27	Release Knob Label	32-14	1				
28	Release Knob	32-15	1				
29	Release Valve Stem	32-16	1				
30	P-3 O-Ring	16-36	1				
31	7/32" Ball	16-26	1				
32	Spring (76)	16-39	1				
33	9/32" Ball	16-40	1				
34	M10 X 10 Screw (F.P.)	16-41	1				
35	PS-9 Pent Seal	32-18	1				
36	P-9 Back-Up Ring (B.C.)	32A-01	1				
37	VC-9 Oil Seal	32A-02	1				
38	Pump Piston	32-21	1				
39	CE-7 Snap Ring	40-49	4				
40	Pin (5)	26-29	2				
41	Pump Handle	26-30	1				
42	Pump Handle Grip	26-31	1				
43	Body	32A-04	1				
44	Suction Tube	26-34	1				
45	Filter Base Ass'y	26-35	1				
46	P-38 O-Ring	26-37	1				
47	Oil Reservoir (10)	32A-03	1				
48	Reservoir Cap	410-55	1				

TROUBLESHOOTING GUIDE

1. **Problem:** Small wire strands or pieces of cable or debris get jammed between the cutter head and blade, not allowing the blade to retract.

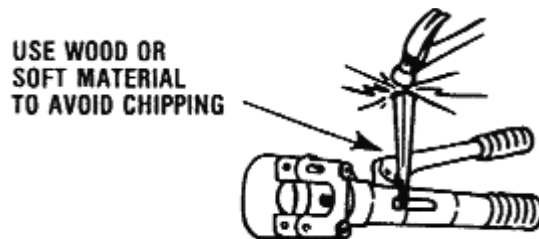
Solution: A) Hold release lever down while tapping on the ram with a block of wood and a hammer. If this does not work or tool continues to hang up, proceed to step B.

B) Remove blade screw and release the ram. Then disassemble cutter head and remove burs from both blade and head shear, using a flat grinding stone on the rolled edge. **Do not sharpen like a knife - leave cutting edge flat!**

2. **Problem:** Blade is advanced under pressure with no load and the release lever

Solution: A) Use both hands to depress lever using body weight and the ground or other strong surface for support. If this does not work, proceed to step B.

B) Lay tool flat on the ground or other strong surface and hit release lever with a block of wood and a hammer to release pressure.



3. **Problem:** Tool will not advance.

Solution: A) Remove body handle and check oil reservoir for proper fluid level. The oil should be the top of the reservoir when the cap is removed. Be sure the tool is fully retracted before removing cap.

B) After storing for a long period of time, or occasionally when the tool is new, a check ball may be stuck not allowing it to advance the blade. Invert the tool and rap the cutter head sharply on the ground. Do this several times, then pump handle to advance the blade.

WARRANTY

Huskie Tools products carry a warranty that makes us a leader in the tool industry. No other manufacturer dares to back its tools as we do.

All Huskie REC-SERIES battery operated products carry a 5 year warranty. The ECO-SERIES battery operated products carry a 3 year warranty. The BP-70E, BP-70EI, BP-70MH, and BP-80 batteries carry a 5 year or 1,000 recharge cycles warranty from the date stamped on the battery.

PRODUCT WARRANTY

REC-Series battery operated products	5 Years
ECO-Series battery operated products*	3 Years
Batteries (BP-70E, BP-70EI**, BP-70MH, BP-80)	5 years
Chargers (CH-35R, CH-70DCH, CH-90, CH-86)	5 Years

*There is also a 1 year warranty available for the ECO-Series, please make sure which was purchased with the tool.

**The BP-70EI is no longer available. The LED indicator on the BP-70EI carries a 1 year warranty from purchase date.

The warranty does not cover any damages incurred from a Huskie tool including damages to property, bodily injuries and lost wages resulting from such injuries. This warranty solely covers the repair or replacement of tools supplied by Huskie. These remedies are exclusive, and the total liability of Huskie Tools, Inc. whether based on contract, warranty, negligence, indemnification, strict liability or otherwise, shall not exceed the purchase price of the tool. In no event shall Huskie Tools, Inc. be liable for consequential, incidental or special damages.

HUSKIE TOOLS, INC. MAKES NO OTHER WARRANTIES OF ANY KIND, EXPRESSED OR IMPLIED, AND ALL IMPLIED WARRANTIES INCLUDING ANY WARRANTY OF MERCHANTABILITY AND FITNESS FOR A PARTICULAR PURPOSE ARE DISCLAIMED.

Huskie reserves the right to determine all warranty claims. Huskie will not warranty tools containing parts or batteries not originally supplied by Huskie. Failure due to misuse, improper maintenance, misapplication, not following instructions or warnings, abuse or repairs attempted by anyone other than Huskie Tools, Inc., or an authorized service center renders this warranty null and void.

Repair and Warranty Claims

All claims must be sent to Huskie for inspection and authorization. A Return Goods Authorization (RGA) is required before shipping tools to Huskie. Secure the authorization by telephoning or writing to Huskie's main office with details of the claim. Non-warranty repairs are handled using the same procedure. Repairs exceeding 50 percent of the cost of a new tool will be advised before repairs are made.

Payment Terms

Upon credit approval Huskie's standard payment terms are net-30 days. Visa, Mastercard, Discover and American Express are also accepted.

Freight

All Huskie tools are FOB, Glendale Heights, Illinois. Goods will be shipped pre-paid and added, unless otherwise specified. Freight shipments over \$17,000 are pre-paid.

Quotations

Special quantity quotations should be phoned in to discuss the scope of your tool requests.

Complete Support Services

Our customers have direct access to us for training, service, and problem solving. As specialists in tools, we maintain a trained repair staff and a large stock of parts. This contrasts with many tool suppliers who carry tools as a sideline without offering support services. Here are some reasons why our customers love to do business with us:

- Quick delivery
- We maintain inventory at our headquarters.
 - Training and troubleshooting services.
 - Fast repair service.
- Design and engineering service for special tool needs.

WARRANTY

Huskie Tools products carry a warranty that makes us a leader in the tool industry. No other manufacturer dares to back its tools as we do.

All Huskie REC-SERIES battery operated products carry a 5 year warranty. The ECO-SERIES battery operated products carry a 3 year warranty. The BP-70E, BP-70EI, BP-70MH, and BP-80 batteries carry a 5 year or 1,000 recharge cycles warranty from the date stamped on the battery.

PRODUCT WARRANTY

REC-Series battery operated products	5 Years
ECO-Series battery operated products*	3 Years
Batteries (BP-70E, BP-70EI**, BP-70MH, BP-80)	5 years
Chargers (CH-35R, CH-70DCH, CH-90, CH-86)	5 Years

*There is also a 1 year warranty available for the ECO-Series, please make sure which was purchased with the tool.

**The BP-70EI is no longer available. The LED indicator on the BP-70EI carries a 1 year warranty from purchase date.

The warranty does not cover any damages incurred from a Huskie tool including damages to property, bodily injuries and lost wages resulting from such injuries. This warranty solely covers the repair or replacement of tools supplied by Huskie. These remedies are exclusive, and the total liability of Huskie Tools, Inc. whether based on contract, warranty, negligence, indemnification, strict liability or otherwise, shall not exceed the purchase price of the tool. In no event shall Huskie Tools, Inc. be liable for consequential, incidental or special damages.

HUSKIE TOOLS, INC. MAKES NO OTHER WARRANTIES OF ANY KIND, EXPRESSED OR IMPLIED, AND ALL IMPLIED WARRANTIES INCLUDING ANY WARRANTY OF MERCHANTABILITY AND FITNESS FOR A PARTICULAR PURPOSE ARE DISCLAIMED.

Huskie reserves the right to determine all warranty claims. Huskie will not warranty tools containing parts or batteries not originally supplied by Huskie. Failure due to misuse, improper maintenance, misapplication, not following instructions or warnings, abuse or repairs attempted by anyone other than Huskie Tools, Inc., or an authorized service center renders this warranty null and void.

Repair and Warranty Claims

All claims must be sent to Huskie for inspection and authorization. A Return Goods Authorization (RGA) is required before shipping tools to Huskie. Secure the authorization by telephoning or writing to Huskie's main office with details of the claim. Non-warranty repairs are handled using the same procedure. Repairs exceeding 50 percent of the cost of a new tool will be advised before repairs are made.

Payment Terms

Upon credit approval Huskie's standard payment terms are net-30 days. Visa, Mastercard, Discover and American Express are also accepted.

Freight

All Huskie tools are FOB, Glendale Heights, Illinois. Goods will be shipped pre-paid and added, unless otherwise specified. Freight shipments over \$17,000 are pre-paid.

Quotations

Special quantity quotations should be phoned in to discuss the scope of your tool requests.

Complete Support Services

Our customers have direct access to us for training, service, and problem solving. As specialists in tools, we maintain a trained repair staff and a large stock of parts. This contrasts with many tool suppliers who carry tools as a sideline without offering support services. Here are some reasons why our customers love to do business with us:

- Quick delivery
- We maintain inventory at our headquarters.
- Training and troubleshooting services.
- Fast repair service.
- Design and engineering service for special tool needs.



198 N. Brandon Drive
Glendale Heights, Illinois 60139
Toll Free 1-800-860-6170
Fax (800) 345-3767
huskietools.com
info@huskietools.com